

PARTS LIST



Call CTM 24Hrs: We Have What You Need, When You Need it

1 800 311-1200

DRIVE & FAN SHAFTS



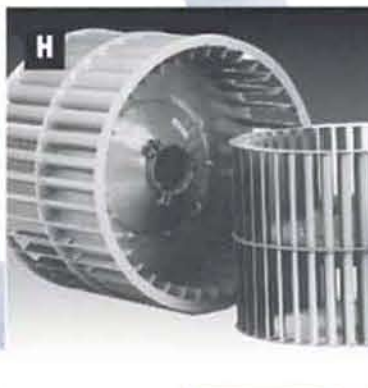
COMPOSITE GRAPHITE DRIVE SHAFTS
The new non corrosive composite graphite drive shafts are stronger & lighter for longer life & performance. Also available hollow tube & solid fan shafts in mild steel or s/steel for cooling towers, closed circuit coolers & air handling units.

FAN BLADES & HUBS



TUF-LITE® FIBERGLASS COOLING TOWER FANS
Tuf-lite fans are constructed of light weight corrosion resistant, fiberglass reinforced vinyl ester or epoxy resins. Tuf-lite II® are available in adjustable pitch or energy saving Auto Variable® pitch hubs, for new applications or retro-fit existing.

FAN WHEELS



FANS WHEELS
Heavy duty fan wheels for all makes & models of cooling towers, closed circuit coolers & air handling units.
FAN CLAMPS & BALANCING CLIPS
Complete range of fan clamps & balancing clips are in stock for all fan wheels & balancing requirements.

SAFETY LADDERS & HANDRAILS



SAFETY LADDERS & PERIMETER HANDRAILS
Safety regulations require access ladders, safety cages, perimeter handrails & walkways as per Bill 208 standards. All in stock & available for immediate installation & hot dipped galvanized after fabrication.

GEAREDUCERS



GEAREDUCERS
New & rebuilt with complete warranties, for all makes of cooling towers. Geareducer parts, lubrication & accessories available. A complete range of half couplings, neoprene bushings, boston couplings are available in stock.

MOTORS



NEW & REBUILT MOTORS
Cooling tower motors operate in harsh conditions. Windings must be triple dipped & baked. Customized drain holes & seals required on motors in discharge air streams. All motors have full warranties.

BEARINGS



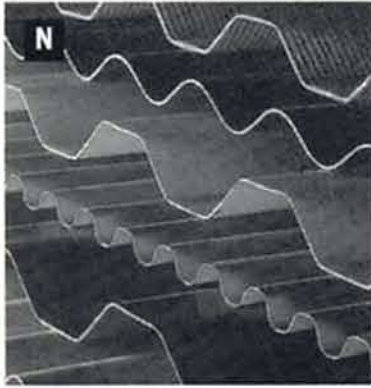
BEARINGS
Split sleeve & solid sleeve bearings, pillow block & flange mounted bearings are in stock at ALL times for all makes & models of towers & air handling units.

ACCESSORIES



ALL IN STOCK
Stainless steel & hot dipped galvanized hardware, pre-pressure treated marine grade plywood & quality grade lumber. Polyurethane caulking & sealants. Two part solvent free polymeric coating system for cooling tower interiors & air handling units.

FIRE RETARDANT FIBERGLASS



FIBERGLASS CASING & LOUVERS
Fire retardant fiberglass casing, corner rolls, access doors & louvers (8 oz., 12oz., 16oz & 24oz) all colours available.

FLOAT VALVES & FLOATS



FLOAT VALVES & FLOATS
Heavy duty float valves complete with aluminum bar and stainless steel adapter for convenient lateral and vertical adjustment.

UNIFLO FILTERS



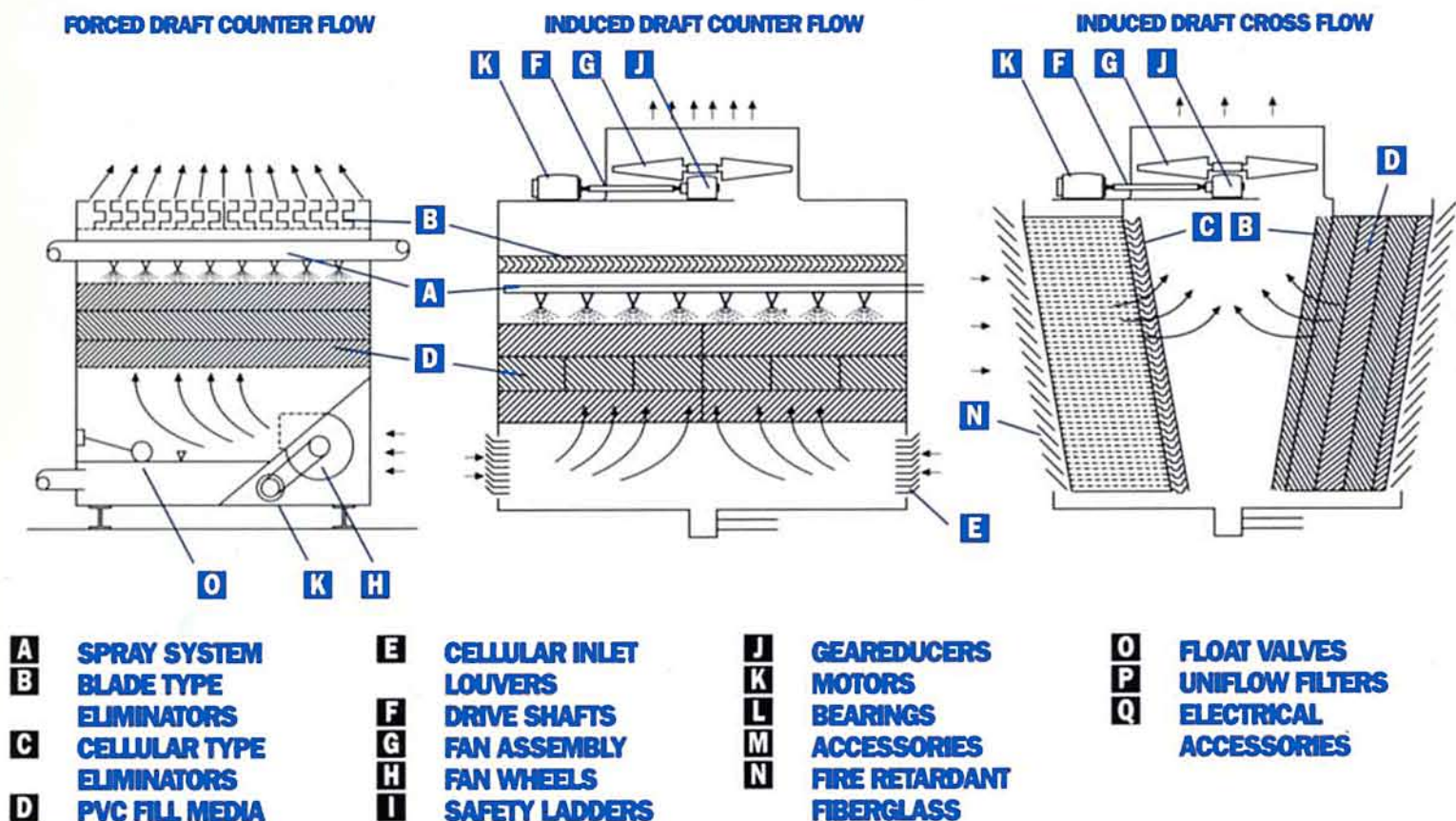
UNIFLO® FILTERS
Provides continuous filtering of cooling or process water to remove suspended solids such as airborne silt, sand, organic matter, as well as waterborne contaminant such as scale & corrosion products, microbiological & other organic matter.

ELECTRICAL



ELECTRICAL ACCESSORIES
Cold water basin immersion heaters, automatic level controls. Variable frequency drives. Two speed motor control panels, slow closing solenoid valves. Antivibration limit switches.

TYPICAL TOWER CONFIGURATION



- A** SPRAY SYSTEM
- B** BLADE TYPE ELIMINATOR
- C** CELLULAR TYPE ELIMINATOR
- D** PVC FILL MEDIA
- E** CELLULAR INLET LOUVERS
- F** DRIVE SHAFTS
- G** FAN ASSEMBLY
- H** FAN WHEELS
- I** SAFETY LADDERS
- J** GEAREDUCERS
- K** MOTORS
- L** BEARINGS
- M** ACCESSORIES
- N** FIRE RETARDANT FIBERGLASS
- O** FLOAT VALVES
- P** UNIFLO FILTERS
- Q** ELECTRICAL ACCESSORIES



Call CTM 24Hrs: We Have What You Need, When You Need it

1 800 311-1200